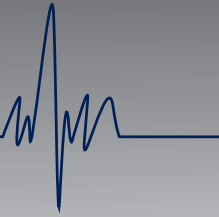




Solutions Start Here...



Solutions Start Here

www.smpcanada.com

SMP Canada

10 Sims Crescent, Richmond Hill
Ontario, L4B-1K9 Canada
Tel: (905) 764-7767 Fax: 1-866-627-9798
support@smpcanada.com

Quartz Series

INSTALLATION INSTRUCTION



INSTALLATION INSTRUCTION

PATIENT SERVICE CONSOLE UNIT QUARTZ SERIES



Before servicing or installing this unit please ensure that all Gas and Electrical supply has been disconnected in area of use. Please use safety and precautions at all times.

BEFORE INSTALLATION

Headwalls are to be installed only by an experienced tradesperson. All work must conform to local building codes.

Installation instructions are provided as a basis for installation of the SMP Headwalls. Slight changes or modifications can occur at every job site.

Please read ALL instructions prior to installing the SMP Headwall. The SMP approval submittal package must be reviewed before removing any SMP Headwalls from their shipping container. Ensure that following is correct prior to installation:

- Equipment Types and quantities match with the shipment
- Room Numbers and Room Locations are on each package (if applicable)

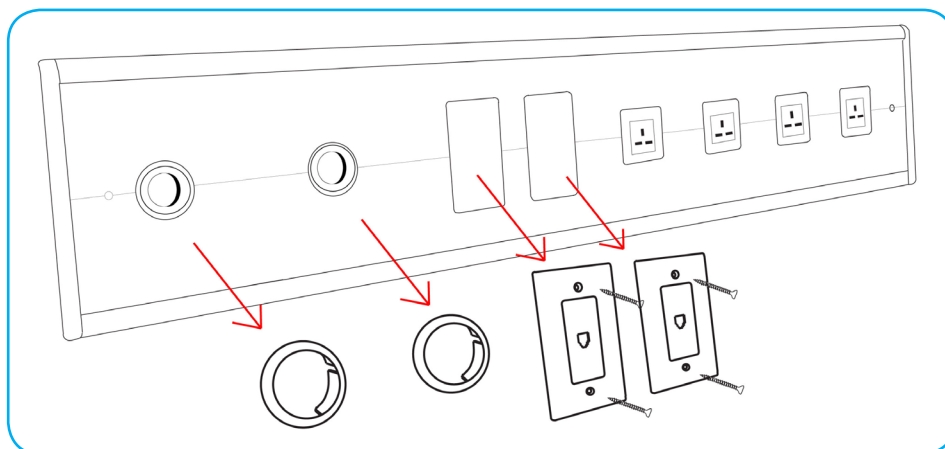
Please review all approval drawings – mechanical, wiring and rough-in before proceeding with installation. If there are any discrepancies, please contact SMP Canada before you proceed with installation.

(support@smcpcanada.com)

INSTALLATION

1.

- Remove round plastic gas cover from all gas outlets.
- Remove any communication devices covers from front facia.
- *NOTE: Electrical recepticals are to remain on front facia. (Do not remove)*





INSTALLATION INSTRUCTION

PATIENT SERVICE CONSOLE UNIT QUARTZ SERIES

2.

Remove front facia screws located on both sides as per figure 2.

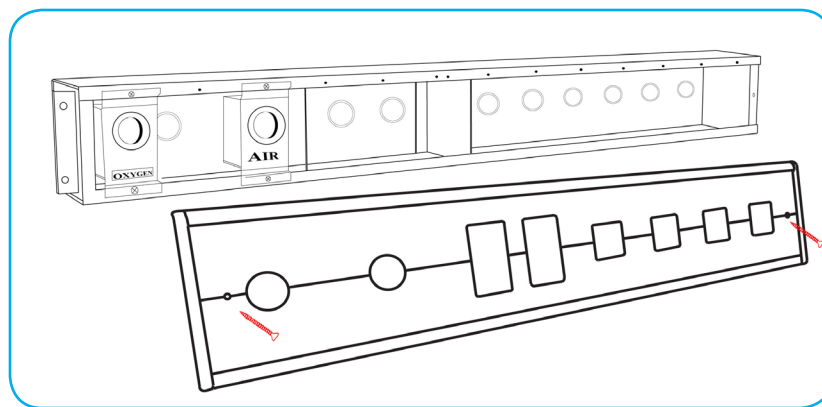
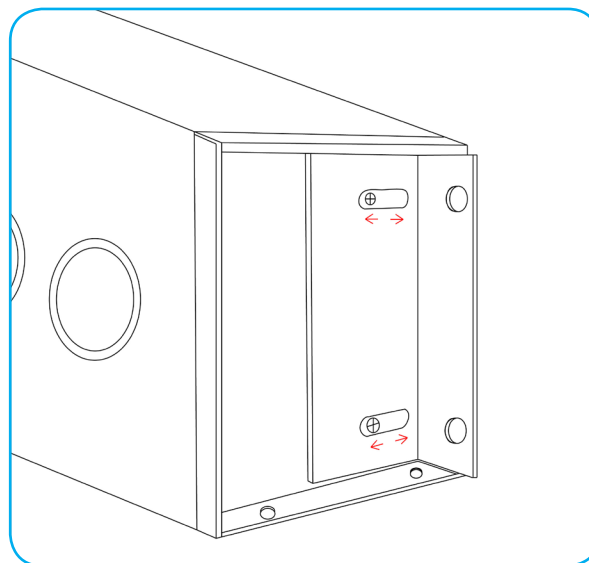


Figure 2

3.

Place the back box assemble onto studs in the wall. Adjust the flange brackets on the back box if necessary as per figure 3. Once desired flange adjustment is attained, tighten the screws on the flange.





INSTALLATION INSTRUCTION

PATIENT SERVICE CONSOLE UNIT QUARTZ SERIES

4.

Mount the console box by using rivets or screws to attach the flanges (2 on each side) to the studs.
(See Figure. 4)

Note: See architectural drawings for mounting heights. Also coordinate mounting heights with contractor on site.

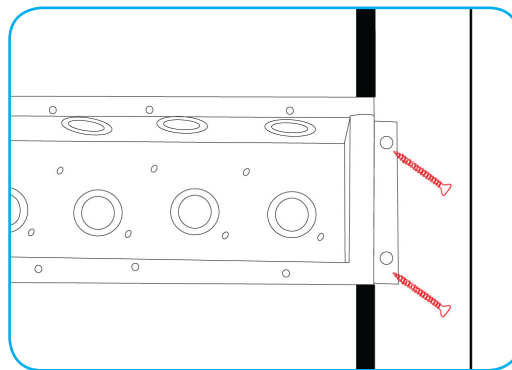


Figure 4

5.

Make all on-site gas and electrical connections. Wiring is to be completed on-site by others.

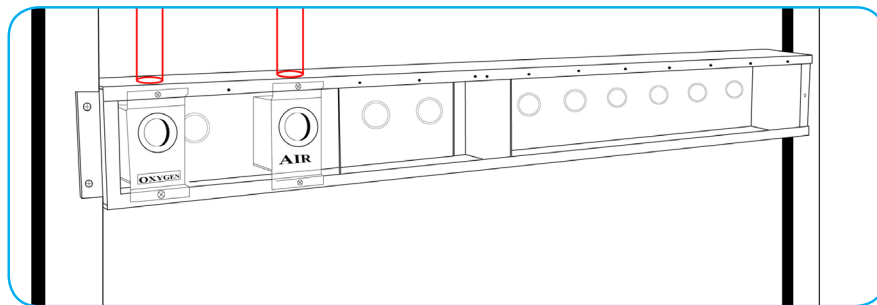


Figure 5

6.

Install drywall.

7.

Re-attach front facia removed in step 2.



INSTALLATION INSTRUCTION

PATIENT SERVICE CONSOLE UNIT QUARTZ SERIES

8. Reattach the round plastic gas covers and any communication devices removed in step 1 electrical and gas cover plates removed in step 1.

FINISHED PRODUCT

